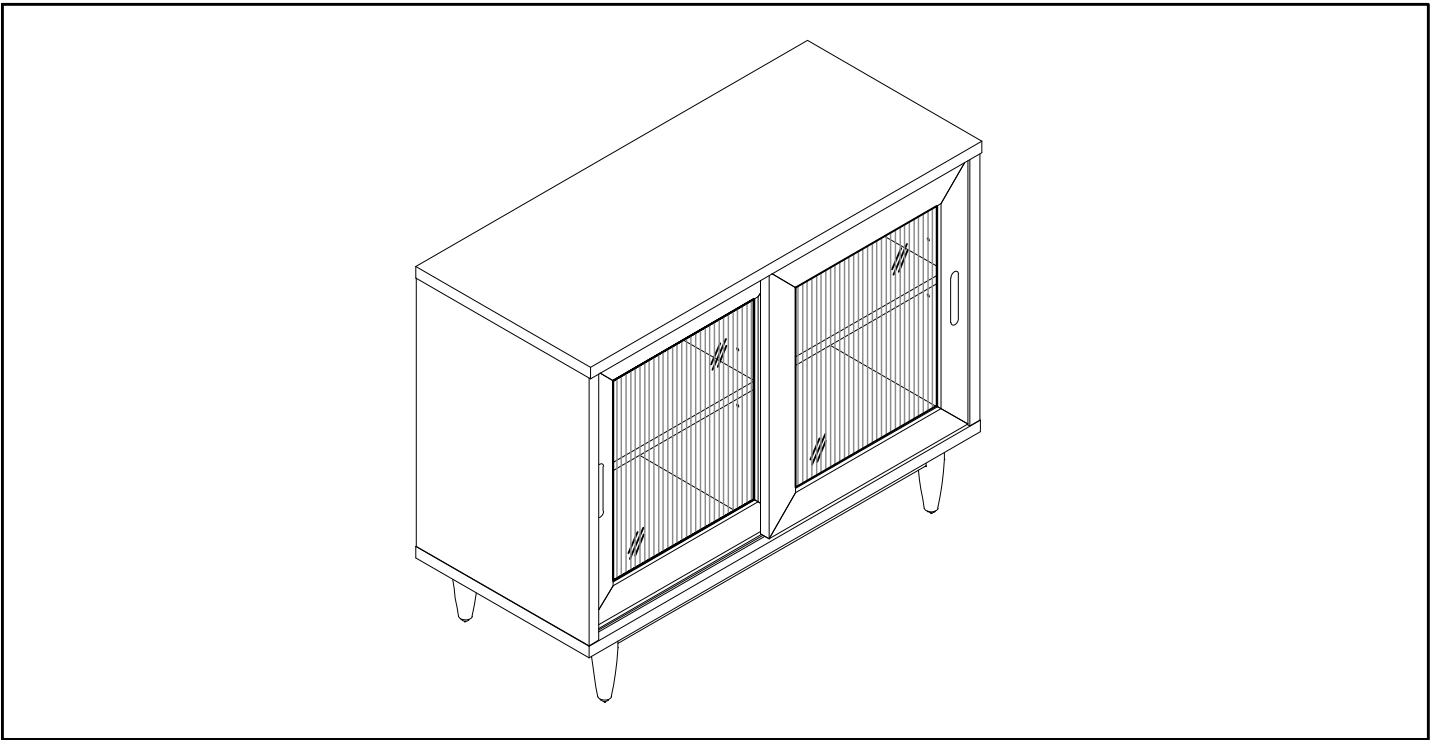


# WORLD MARKET®

## Assembly Instructions

Kellen Low Fluted Glass Cabinet

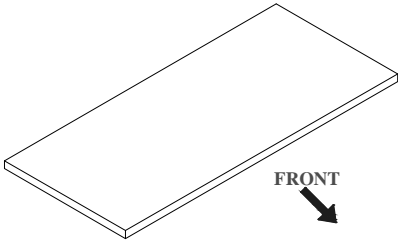
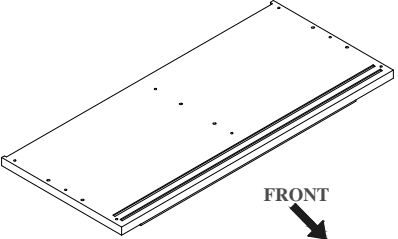
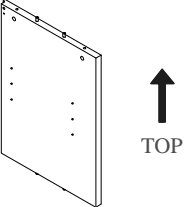
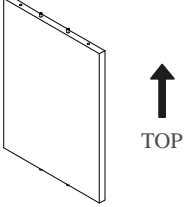
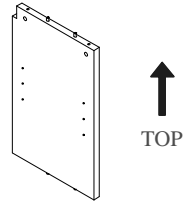
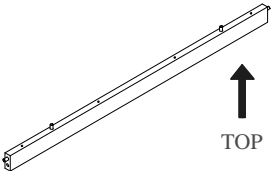
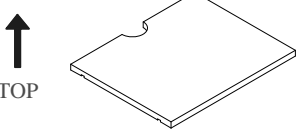
SKU 626640



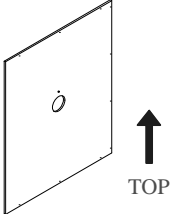
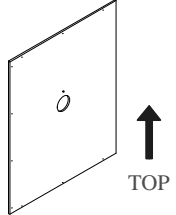
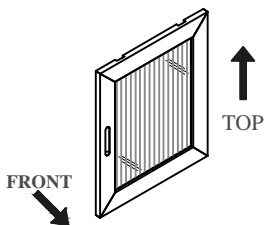
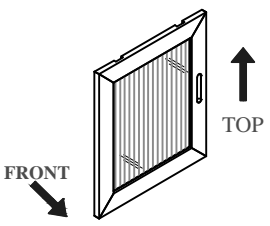


Thank you for your purchase. If you have any questions pertaining to the assembly of this furniture piece, please contact the nearest World Market store. If you are not near a store, please call our customer service call center toll free at 877-967-5362 for assistance.

ALL PRODUCTS SOLD AT WORLD MARKET ARE NOT  
FOR COMMERCIAL USE AND ARE INTENDED FOR  
RESIDENTIAL USE ONLY

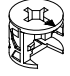
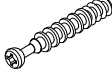
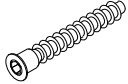












# Component List

LABEL	PICTURE	DESCRIPTION	Q.TY
A	 <p>A perspective view of a rectangular frame with a double-line border. An arrow labeled 'FRONT' points towards the bottom-right corner.</p>	Top Frame	1
B	 <p>A perspective view of a rectangular frame with a double-line border and a series of small holes along the bottom edge. An arrow labeled 'FRONT' points towards the bottom-right corner.</p>	Bottom Frame	1
C-1	 <p>A perspective view of a vertical rectangular frame with a double-line border and a series of small holes along the right edge. An arrow labeled 'TOP' points upwards.</p>	Left Side Frame	1
C-2	 <p>A perspective view of a vertical rectangular frame with a double-line border and a series of small holes along the left edge. An arrow labeled 'TOP' points upwards.</p>	Right Side Frame	1
D	 <p>A perspective view of a vertical rectangular frame with a double-line border and a series of small holes along the right edge. An arrow labeled 'TOP' points upwards.</p>	Divider Frame	1
E	 <p>A perspective view of a long, narrow rectangular rail with a double-line border and a series of small holes along the top edge. An arrow labeled 'TOP' points upwards.</p>	Support Rail	1
F	 <p>A perspective view of a rectangular shelf with a double-line border and a notch on the top edge. An arrow labeled 'TOP' points upwards.</p>	Adjustable Shelf	2


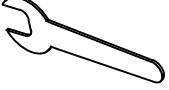
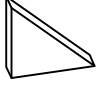
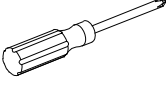
# Component List

LABEL	PICTURE	DESCRIPTION	Q.TY
G-1		Left Back Panel	1
G-2		Right Back Panel	1
I-1		Left Sliding Door (Tempered Glass)	1
I-2		Right Sliding Door (Tempered Glass)	1
J		Leg	4
K		Lid	2

# Hardware List

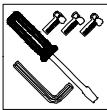
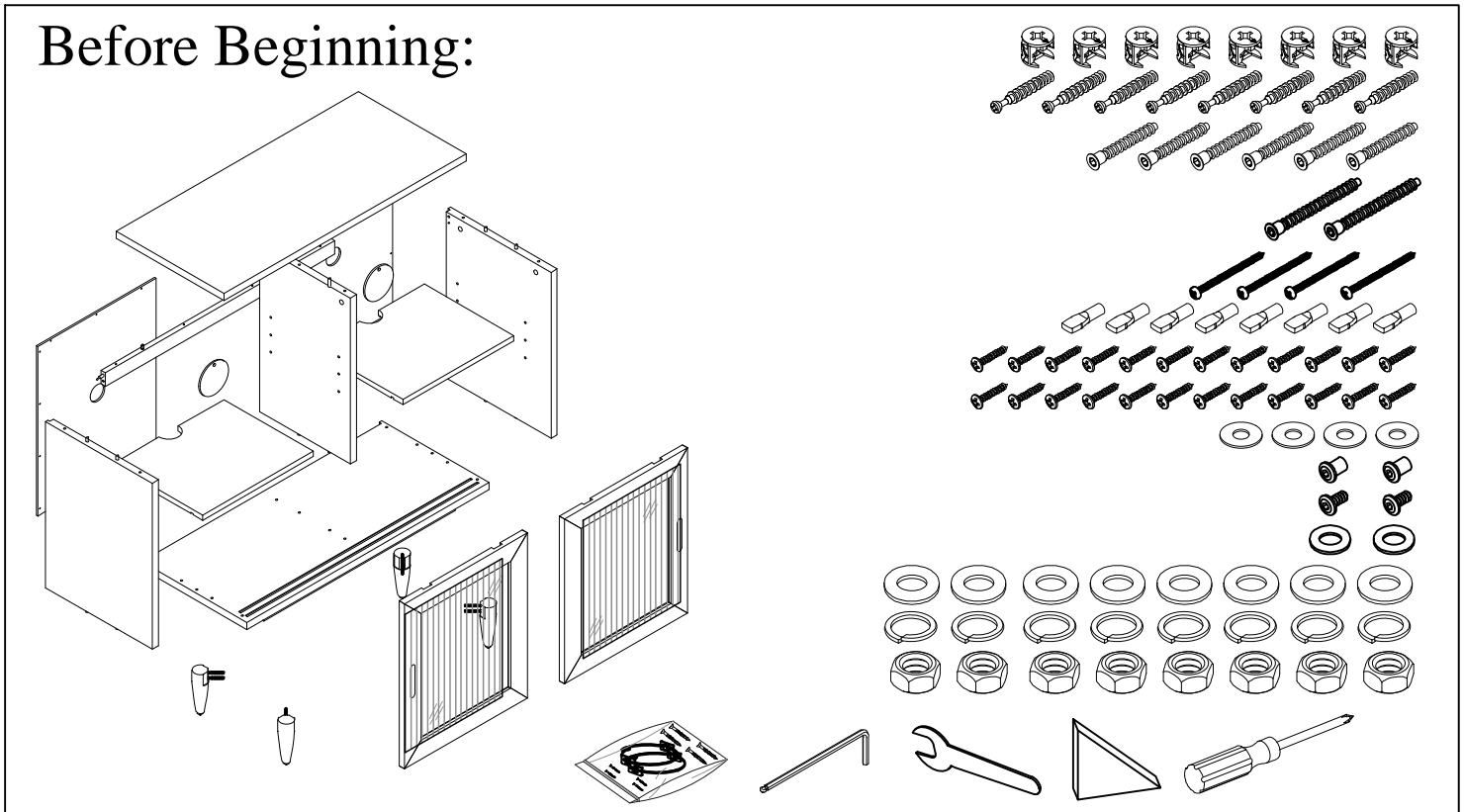
LABEL	PICTURE	DESCRIPTION	Q.TY
H-1		Cam lock Ø15 mm	8
H-2		Cam Screw	8
H-3		Short Connecting Screw M7 x 50 mm	6
H-4		Long Connecting Screw M7 x 70 mm	2
H-5		Long Pan Head Screw M4 x 60 mm	4
H-6		Shelf Pin Ø6	8
H-7		Short Pan Head Screw M3.5 x 15 mm	24
H-8		Medium Flat Washer Ø6 x Ø19 x T1 mm	4
H-9		Connector Bolt M6 x 10 mm (inside)	2
H-10		Allen Bolt M6 x 10 mm	2
H-11		Large Flat Washer Ø10 x Ø20 x T2 mm	2
H-12		Small Flat Washer Ø8 x Ø16 x T2 mm	8
H-13		Lock Washer Ø8 x Ø13 x T2 mm	8
H-14		Nut M8 x 13mm	8
H-15		Anti Tip-kit	1

# Tool List

LABEL	PICTURE	DESCRIPTION	QTY
T-1		Allen Key 4 x 110 x 30 mm	1
T-2		Wrench 13 mm	1
T-3		Triangle	1
T-4		Phillips Screwdriver (Not Included)	1

# Assembly Preparation

## Before Beginning:



Unpack all hardware bags and components to ensure you have all parts. Take note of bolt hardware size differences and components that may have directional labels (Example: TOP or FRONT).



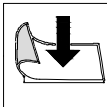
Read the assembly instructions, cover-to-cover. Save any **Care and Maintenance** instructions pages for after the assembly has been completed.



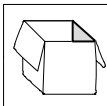
It is always recommended to have 2 adults on hand for assembly.



Do not assemble on hard, abrasive flooring or carpeted surfaces that can damage or get caught in the components during assembly.



Assemble on a clean non-marring surface (such as the product's packing foam).



Do not discard any packaging until the product has been fully assembled.



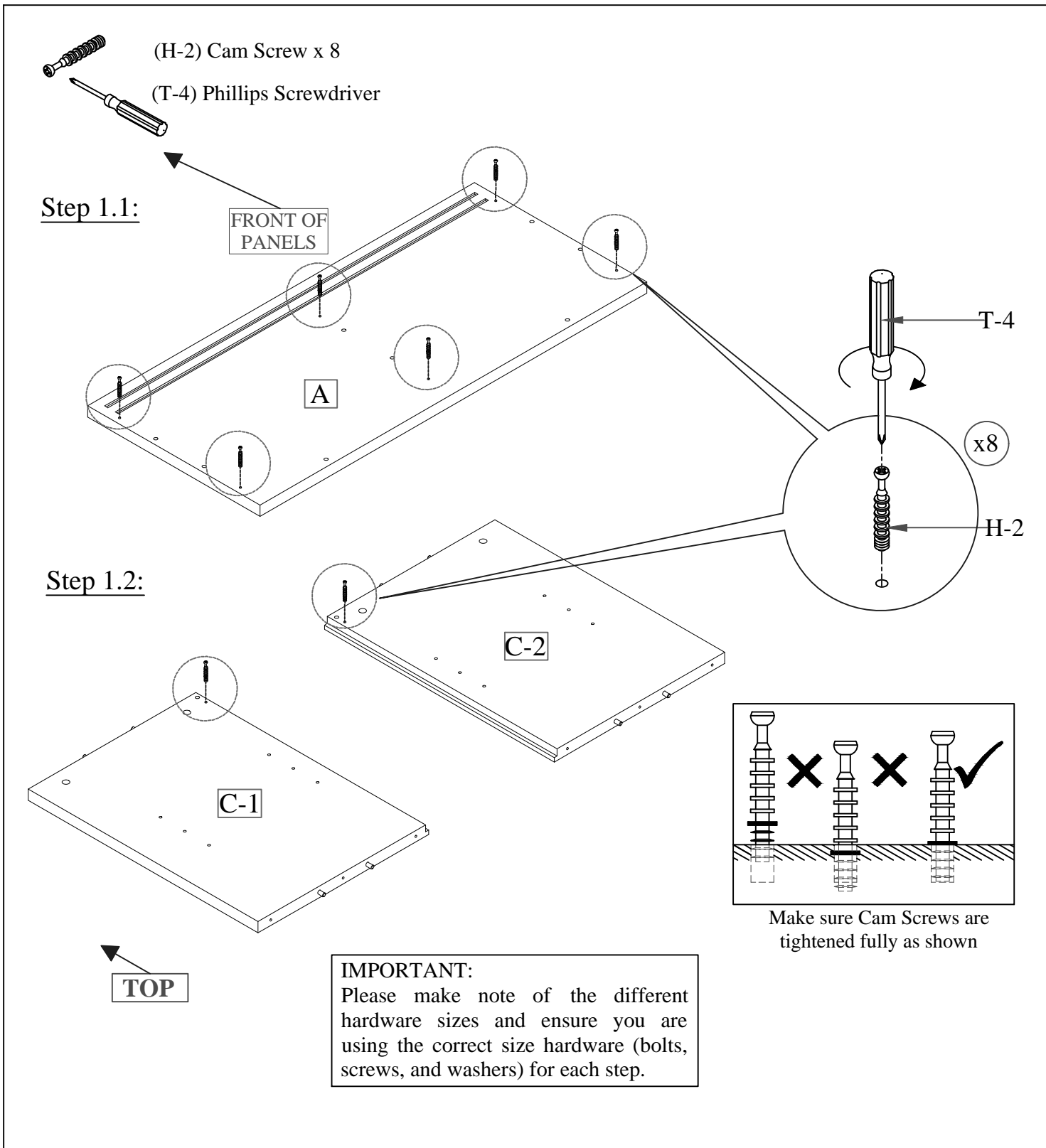
In case of missing parts, please contact your nearest World Market store or call our customer service call center at call 1-877-967-5362.



**WARNING:** Small parts are a choking hazard. Adult supervision is required before, during, and after assembly.

# Assembly Steps

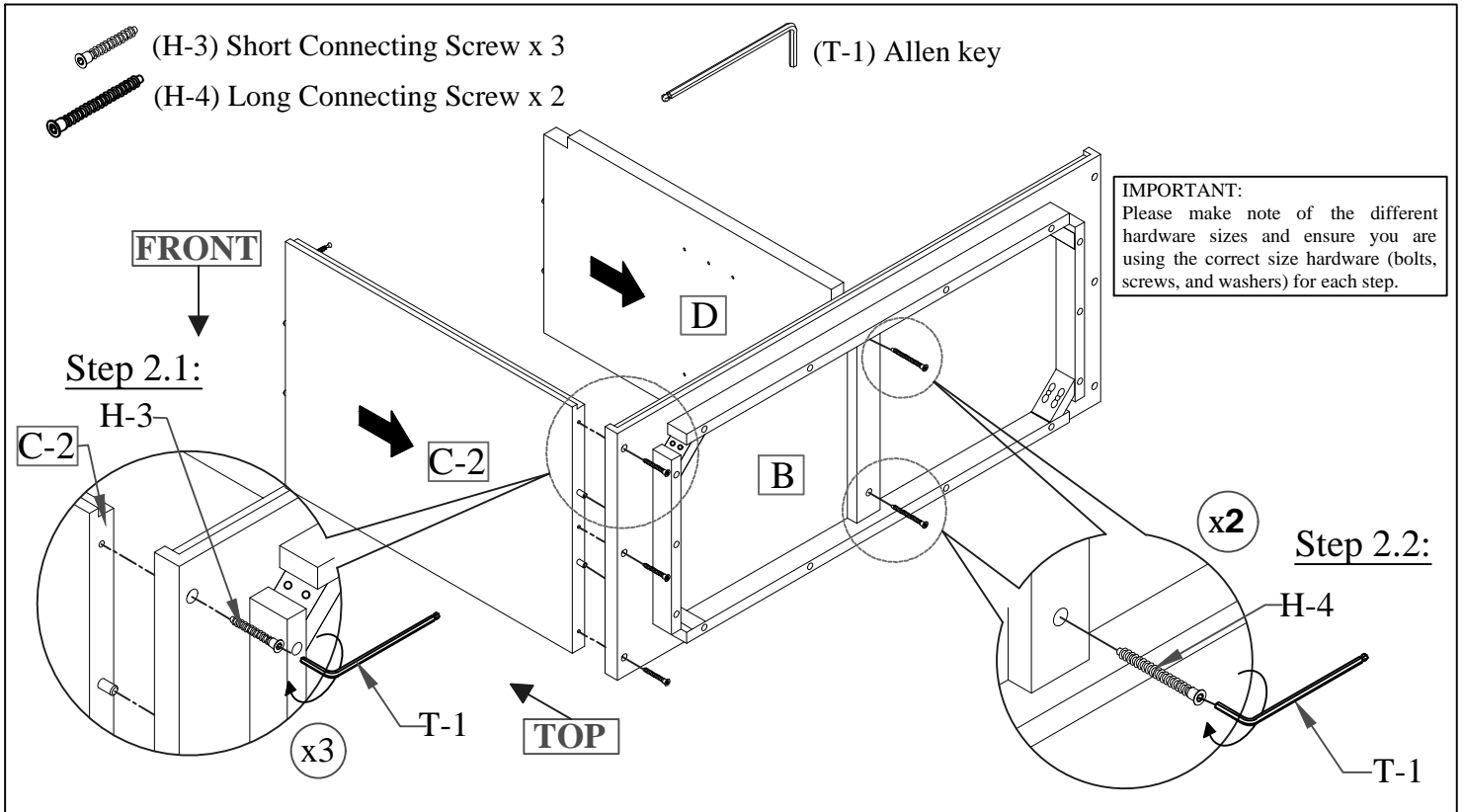
## Step 1



**Step 1.1:** Place Top Frame (A) upside down onto a padded, non-marring surface. Install Cam Screws (H-2) into the pre-drilled holes on Top Frame (A) as shown. Fully tighten using a Phillips screwdriver (T-4, not included) per illustration above.

**Step 1.2:** Place Left Side Frame (C-1) and Right Side Frame (C-2) upside down onto a padded, non-marring surface. Install Cam Screws (H-2) into the pre-drilled holes on Left/ Right Side Frame (C-1/ C-2) as shown. Fully tighten using a Phillips screwdriver (T-4, not included) per illustration above.

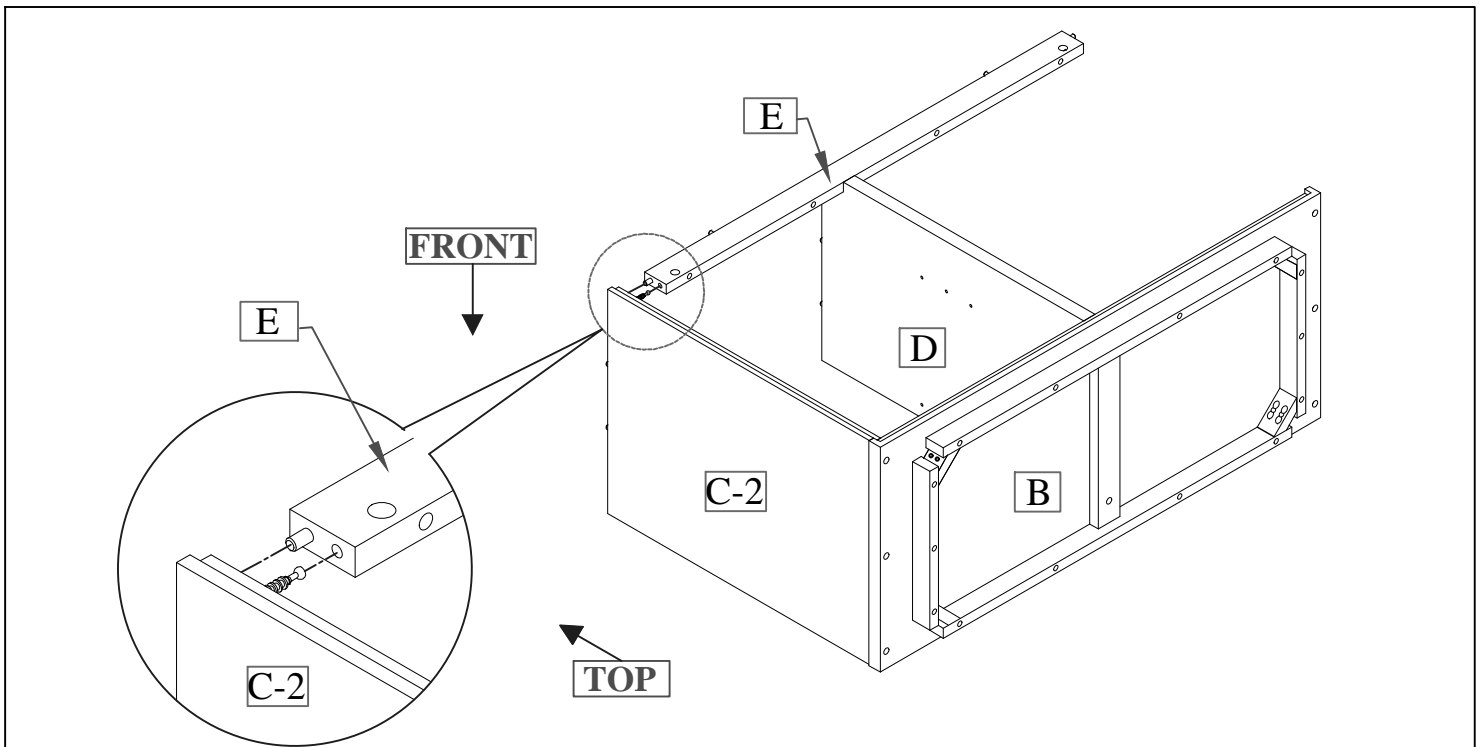
## Step 2



**Step 2.1:** Using a second person to assist you, Install and secure Bottom Frame (B) to Right Side Frame (C-2) using Short Connecting Screws (H-3) .

**Step 2.2:** Install and secure Bottom Frame (B) to Divider Frame (D) using Long Connecting Screws (H-4)  
Engage all screws before fully tightening using Allen Key (T-1). Do not over tighten.

## Step 3

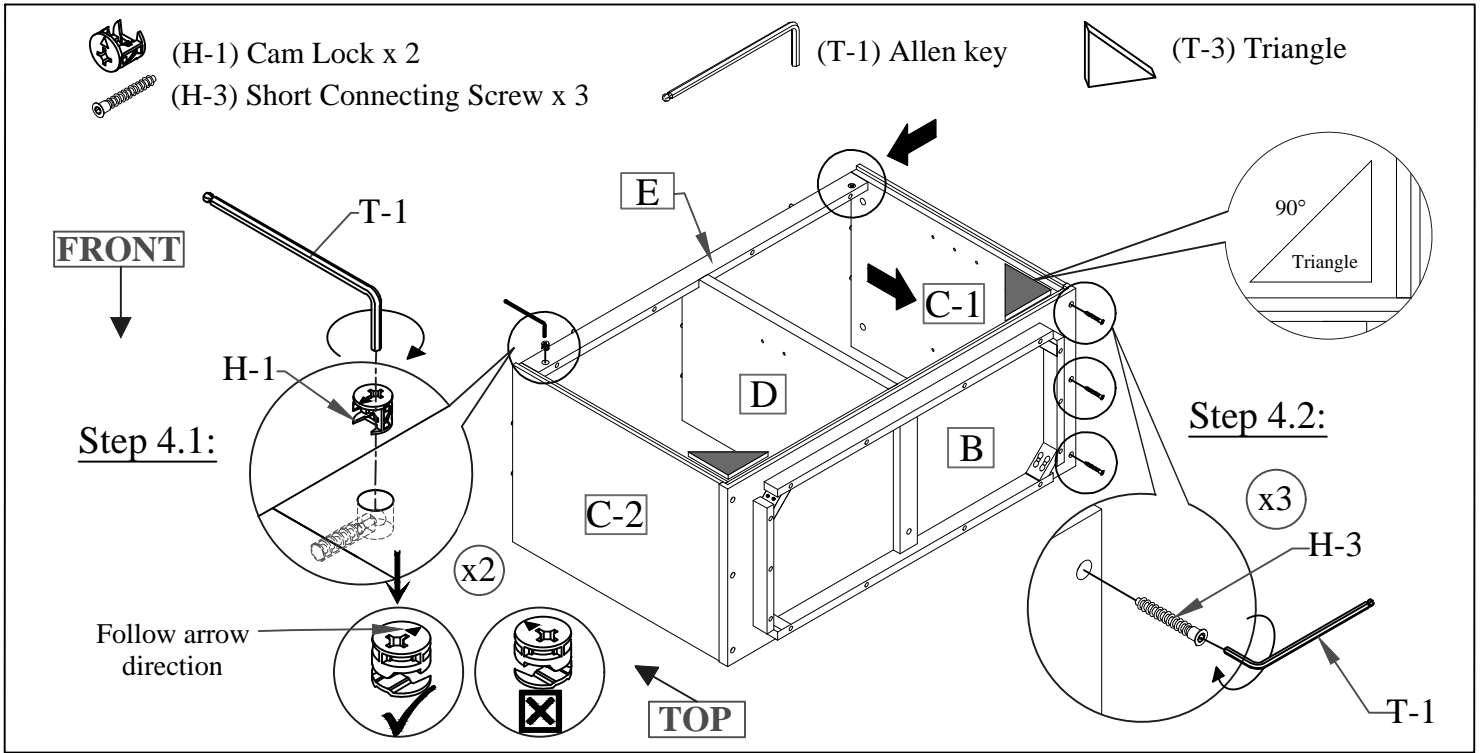


Using a second person to assist you, attach Support Rail (E) to Right Side Frame (C-2) by inserting previously installed Cam Screws (H-2) and dowels into receiving holes. The midpoint of Support Rail (E) should rest on Divider Frame (D).

**NOTE:** Do not yet secure assembly with Cam Locks (H-1).



# Step 4

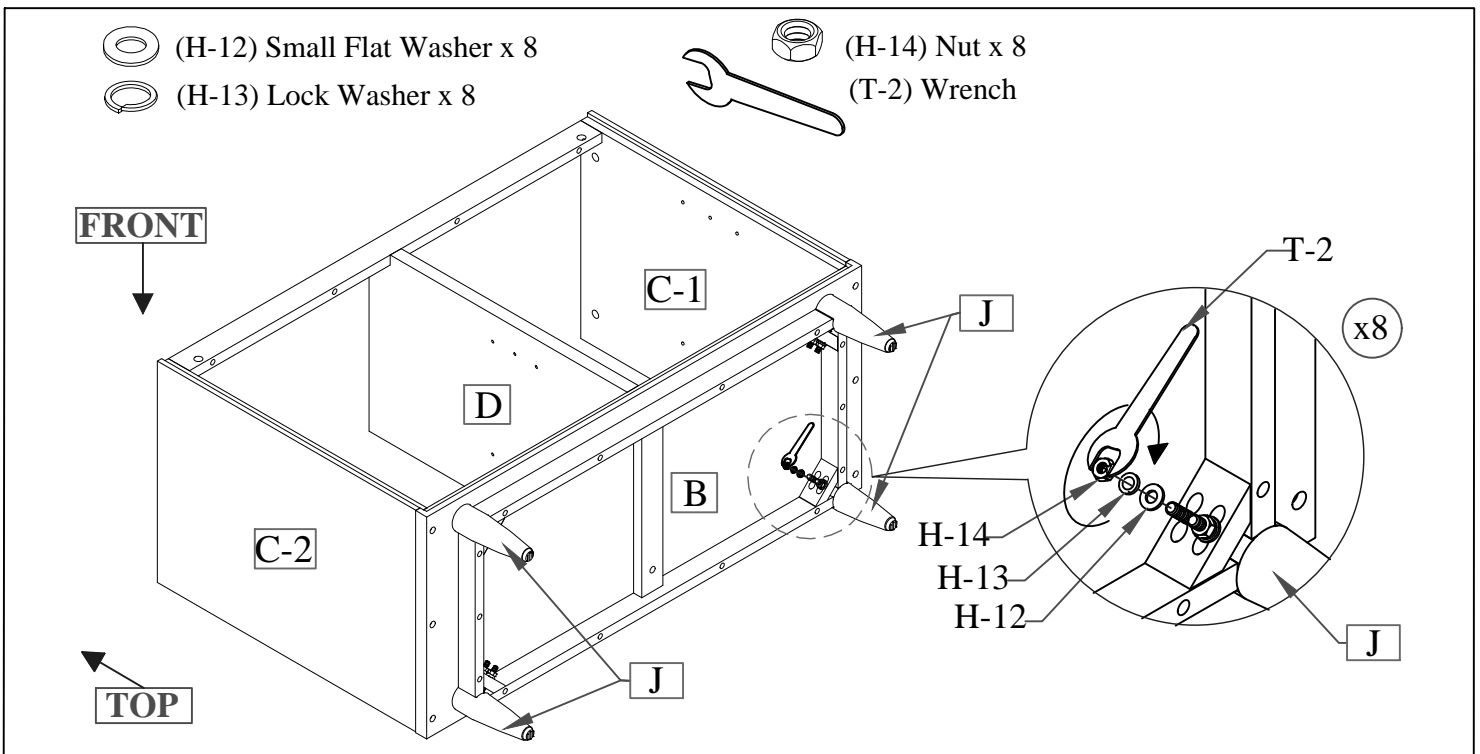


**Step 4.1:** Install Cam Locks (H-1) into the corresponding holes along Support Rail (E) as illustrated. Make sure arrows on Cam Locks point to the screw upon insertion. Secure all Cam Locks (H-1) using Allen Key (T-1), turning them clockwise until they are snug. **DO NOT OVERTIGHTEN** the Cam Locks.

**Step 4.2:** Install and secure Bottom Frame (B) to Left Side Frame (C-1) using Short Connecting Screws (H-3) first by hand, then fully tightening using the provided Allen Key (T-1). Do not over tighten.

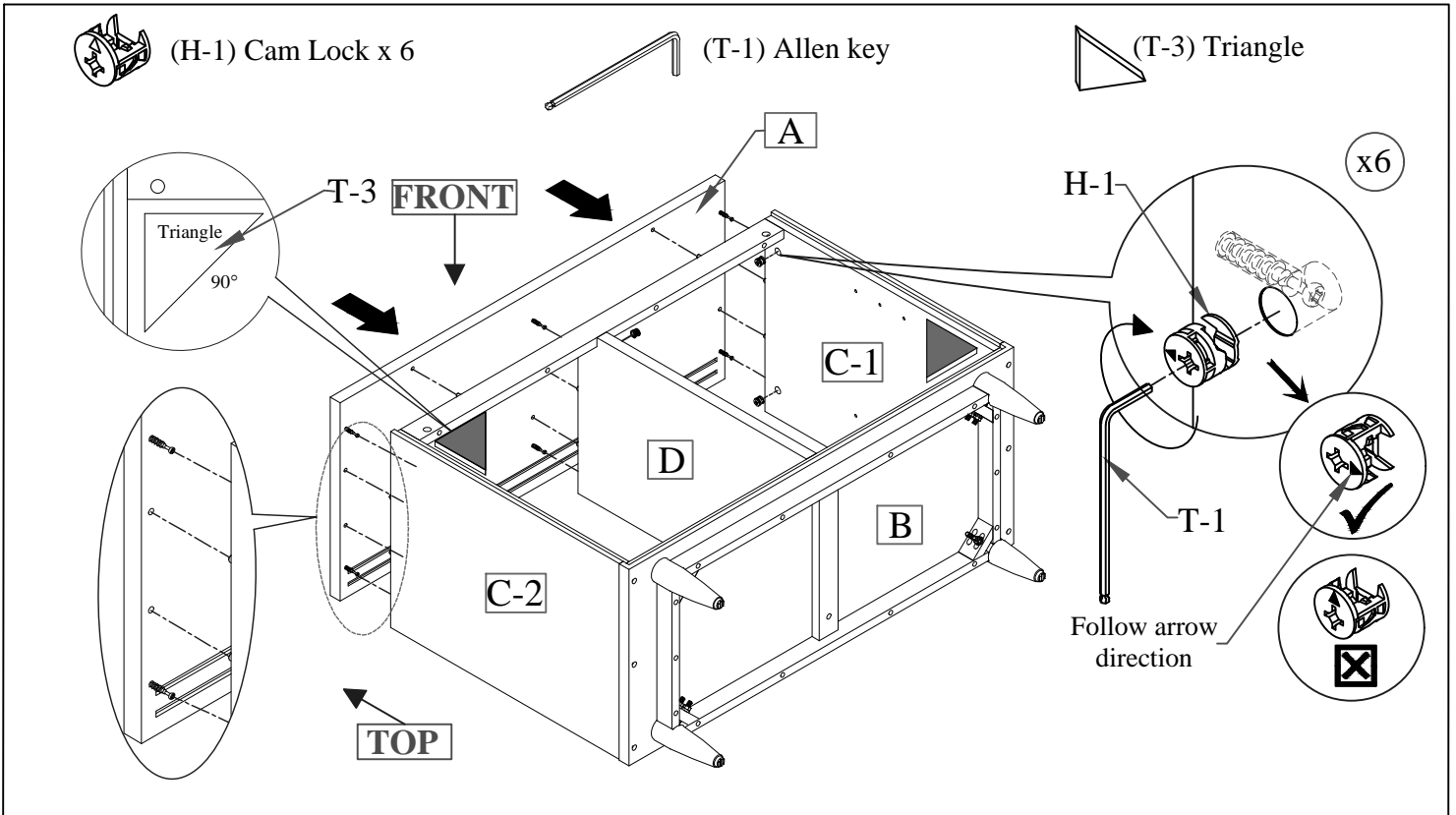
Use the provided 90° Triangle (T-3) and adjust the corners to make sure the cabinet is square. Ensure the Bottom Frame (B) is oriented correctly.

# Step 5



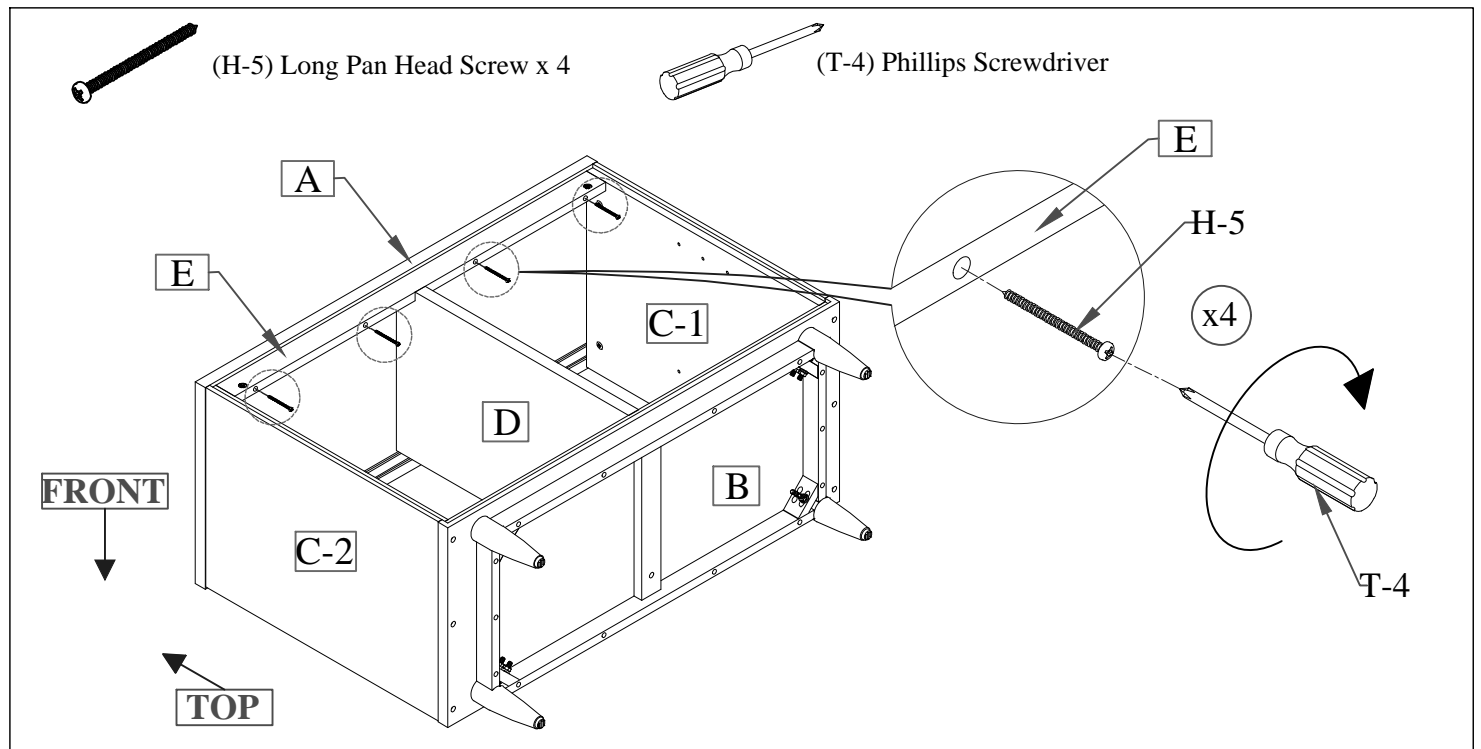
Install and secure Legs (J) to Bottom Frame (B) with Small Flat Washers (H-12), Lock Washers (H-13) and Nuts (H-14) using provided Wrench (T-2), stacking the hardware in the order as shown. Engage all Nuts (H-14) first, then fully tighten. **DO NOT** over tighten.

# Step 6



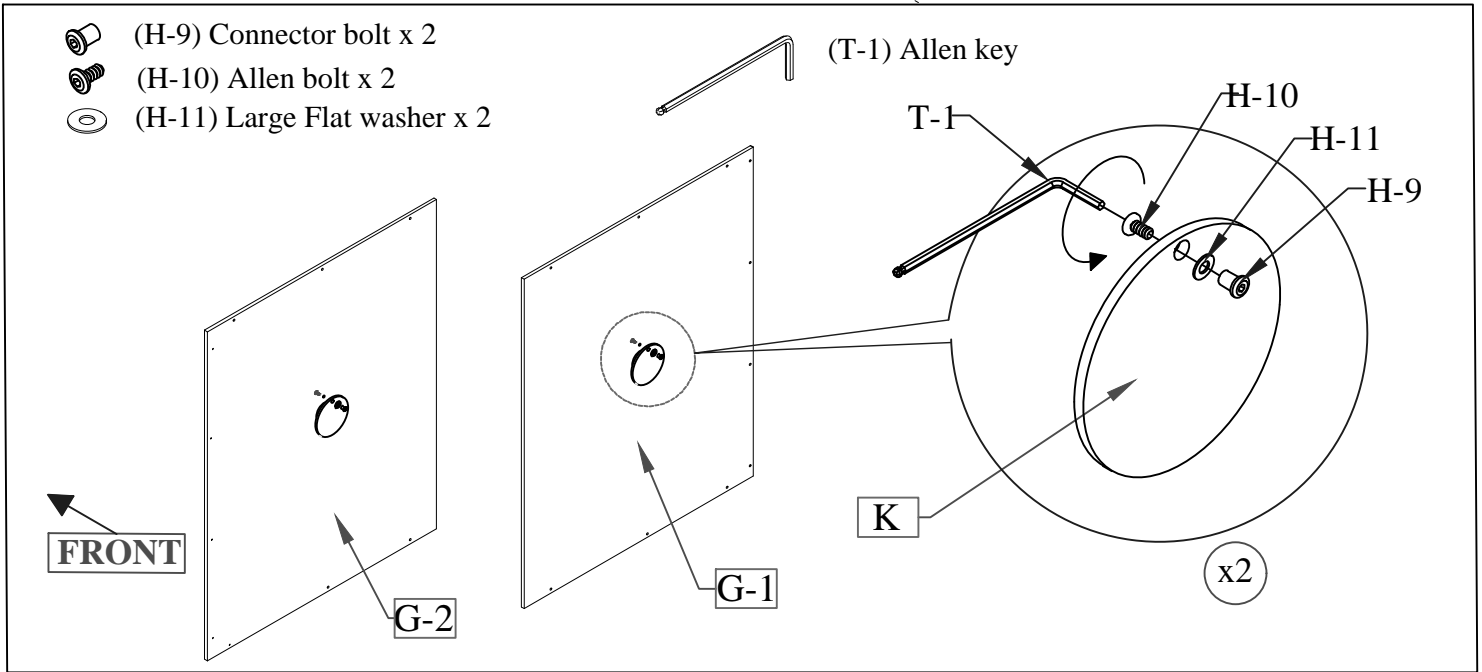
Using a second person to assist you, carefully position Top Frame (A) onto the assembly. Align all of the cam screws (installed in Step 1) with their corresponding holes on Left/ Right Side Frame (C-1/ C-2) and Divider Frame (D) following the orientation directions above. The arrow on the Cam Lock (H-1) must point towards the Cam Screw (H-2) when first inserting the Cam Lock. Once confirmed, fully tighten all Cam Locks (H-1) by turning clockwise using Allen Key (T-1) until they are snug. DO NOT over tighten Cam Locks. Check that the cabinet is square (90 degree) using the Triangle (T-3).

# Step 7



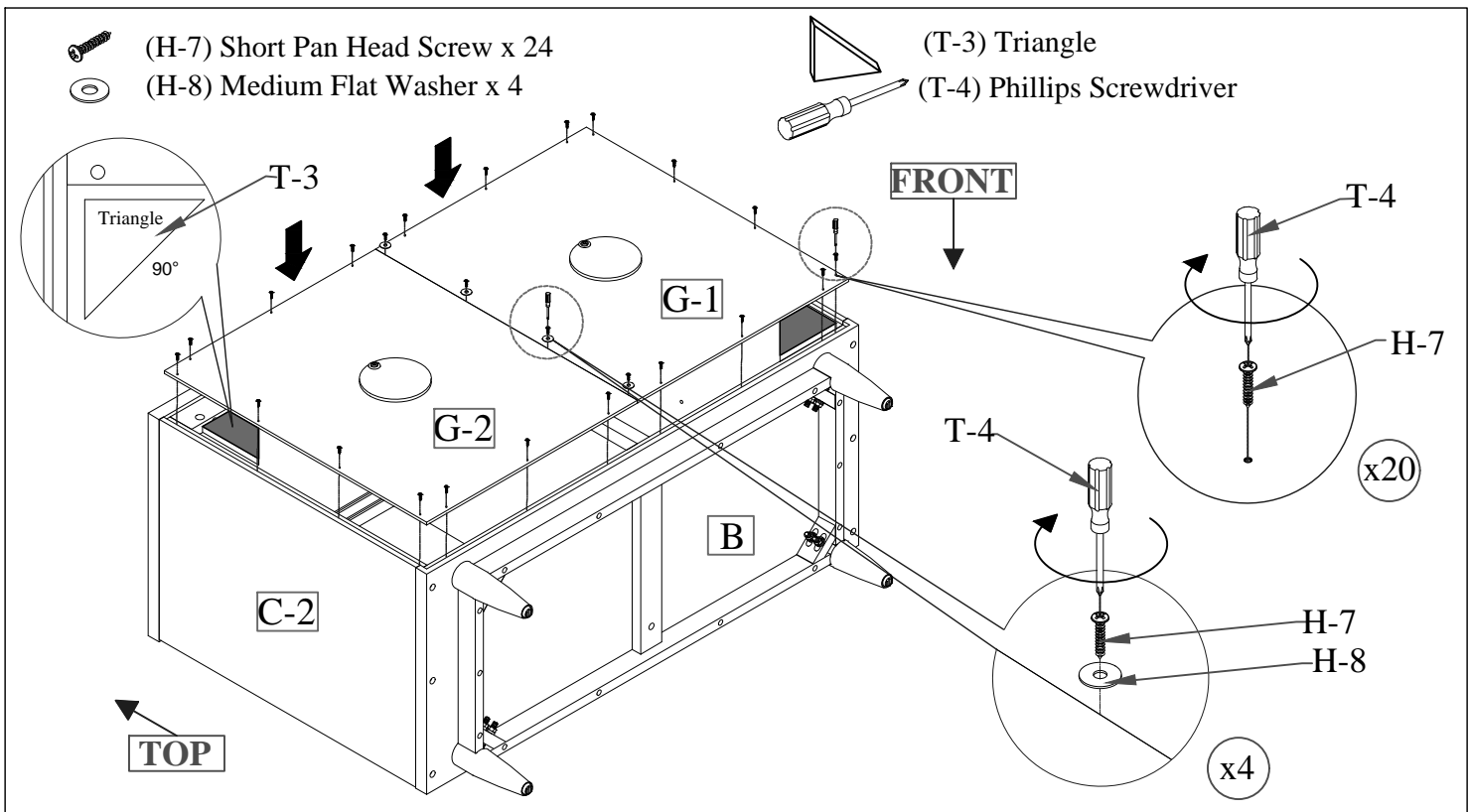
Install and secure Support Rail (E) to Top Frame (A) using Long Pan Head Screw (H-5) by using the Phillips Screwdriver (T-4). Do not over tighten.

# Step 8



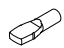
Position Lids (K) to Left/Right Back Panels (G-1/G-2). Secure with Connector Bolts (H-9), Large Flat Washers (H-11) and Allen Bolts (H-10) using provided Allen Key (T-1), stacking the hardware through Back Panels in the order as shown. Engage all bolts first then fully tighten. DO NOT over tighten.

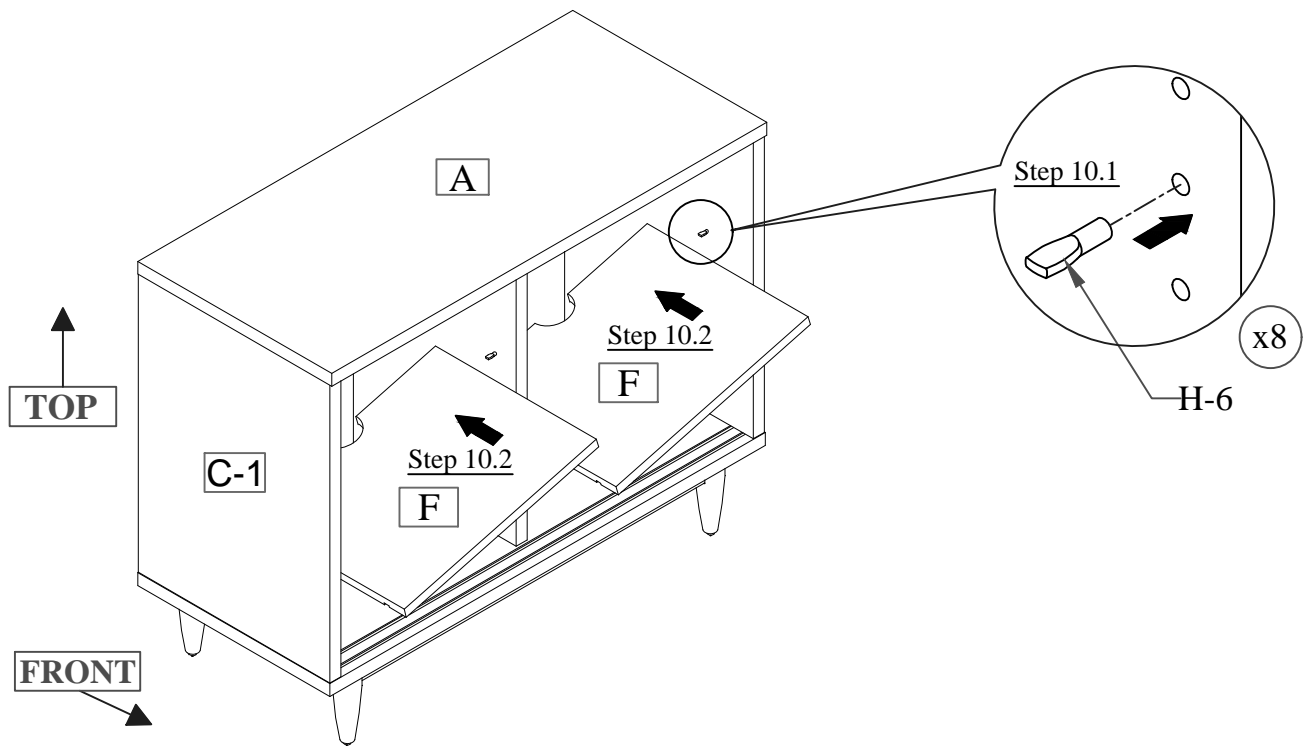
# Step 9



Check that the cabinet is square (90 degrees) using Triangle (T-3). Once square, position Left Back Panel (G-1) and Right Back Panel (G-2) onto assembly as shown. Make sure both panels are oriented correctly (Connecting Bolt from previous step should point toward the top). Secure around the perimeter of the cabinet with Short Pan Head Screws (H-7) using Phillips Screwdriver (T-4; not included). DO NOT over tighten. Secure the middle of the Left/Right Back Panels (G-1/G-2) to the back of the assembly with Short Pan Head Screws (H-7) and Medium Flat Washers (H-8) using Phillips Screwdriver (T-4; not included), stacking the hardware in the order as shown. DO NOT over tighten.

# Step 10

 (H-6) Shelf pin x 8

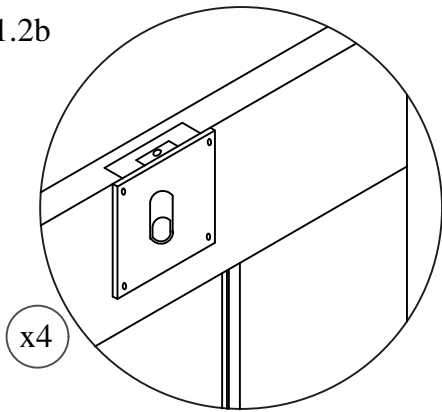


Step 10.1: Using a second person to assist you, carefully turn assembly upright. Insert Shelf Pins (H-6) into the desired hole locations on Left Side Frame (C-1), Right Side Frames (C-2), Divider Frame (D).

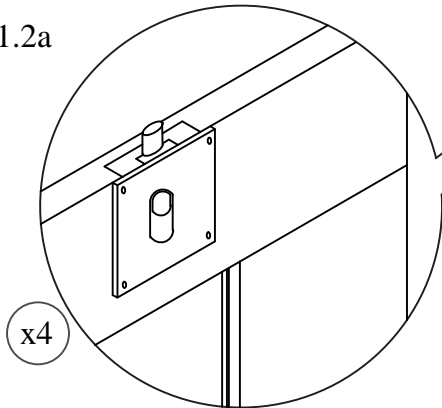
Step 10.2: Turn Adjustable Shelf (F) diagonally and carefully insert into position as shown, making sure they rest evenly on each Shelf Pin (H-6). The cut out in each Shelf should be toward the back.

# Step 11

Step 11.2b

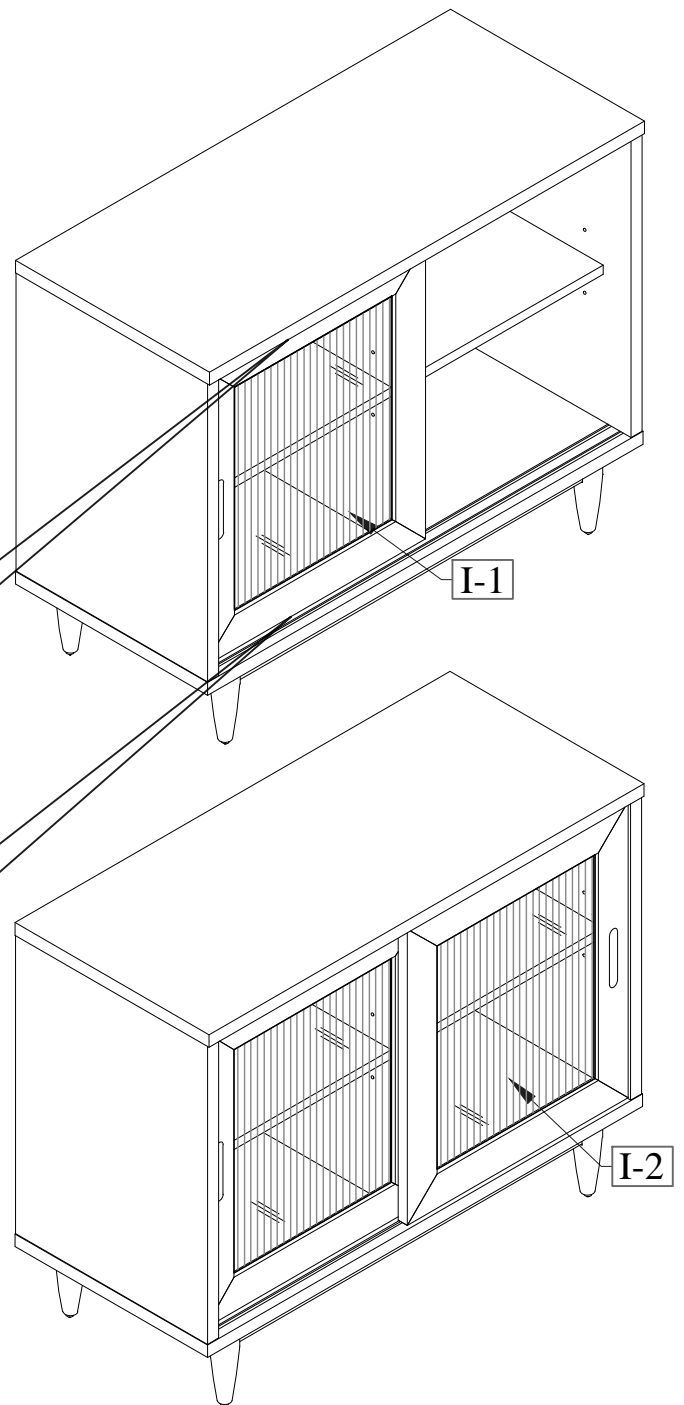
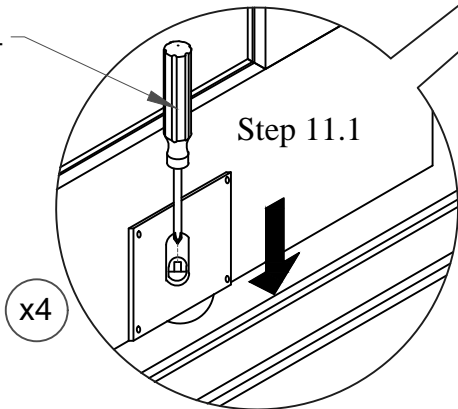


Step 11.2a



T-4

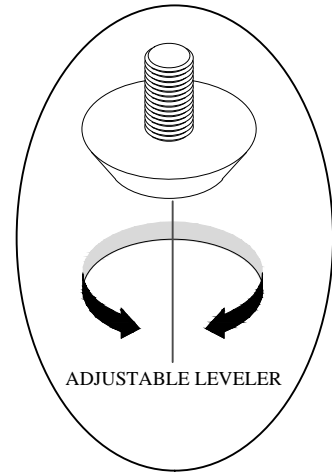
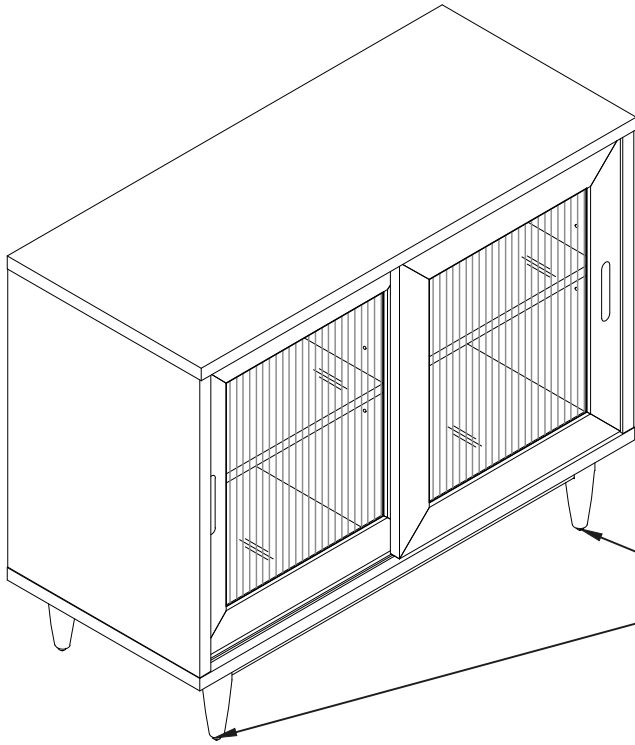
Step 11.1



**NOTE:** There are adjustment screws on the lower wheels as illustrated above. Turn the set screw clockwise to adjust the wheels **INWARD** which will decrease the gap between the bottom track and the bottom of the door. Adjust the set screw counter-clockwise to adjust the wheels **OUTWARD** which will increase the gap between the bottom track and the bottom of the door. If the Sliding Doors seem too small, use this adjustment technique to properly fit and align doors.

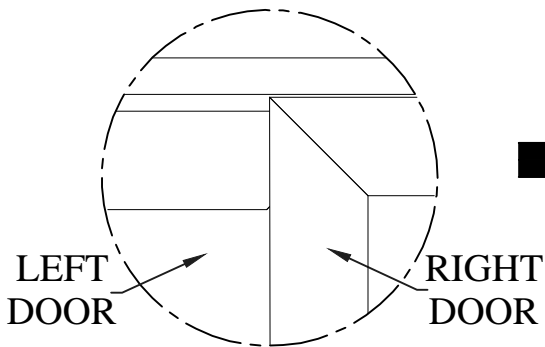
Step 11.1: Insert the bottom wheel of the Left Sliding Door (I-1) into the inner groove of the Bottom Frame (B).  
Step 11.2a: Push and lock the button located above the latch at the top of the Left Sliding Door (I-1) in place.  
Step 11.2b: Position the Left Sliding Door (I-1) into the top track and release the latch button to the inner track.  
Repeat the same steps to install the Right Sliding Door (I-2) in outer tracks.

# Step 12: Leveling Instruction

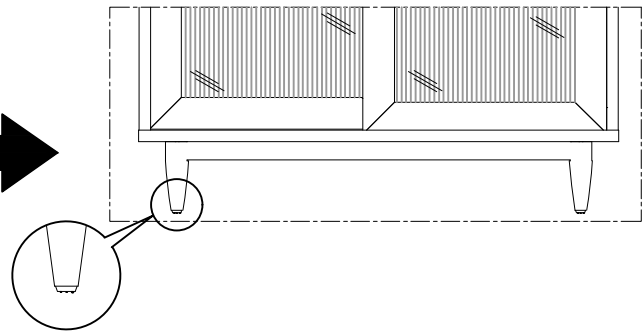


**NOTE: Levelers can be used for adjustment if needed.**

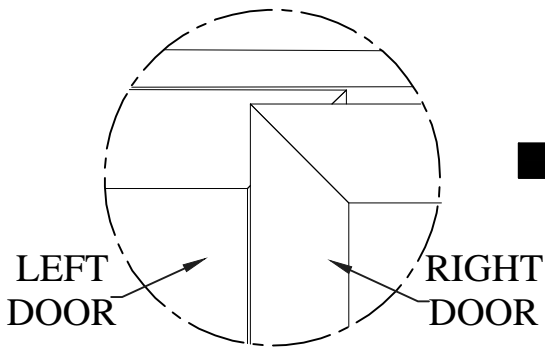
If RIGHT DOOR appears higher than the LEFT DOOR



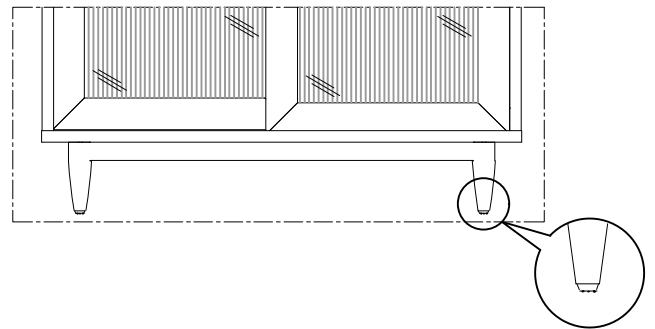
Adjust the FRONT LEFT leveler until doors are even.



If LEFT DOOR appears higher than the RIGHT DOOR



Adjust the FRONT RIGHT leveler until doors are even.

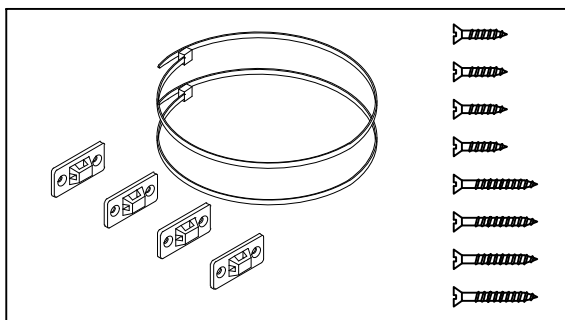


Ensure that all hardware have been fully tightened. Assembly is now complete and the cabinet is ready for use.  
\* Note: Once the cabinet is assembled and is level and square, the adjustable levelers can be used for further adjustment. First make sure all levelers rest evenly on the floor. If the RIGHT DOOR appears higher than the left door, adjust the LEFT FRONT leveler until the doors align. Adjust the RIGHT FRONT leveler if the LEFT DOOR is higher.

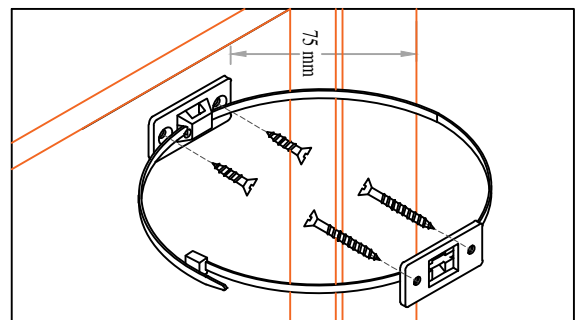
# Anti-Tip Measures

## WARNING

Furniture tip overs can result in death or serious injuries. To reduce the likelihood of tip over, this product should be used with the enclosed Anti-Tip Kit. This Anti-Tip Kit is only a deterrent. It is not a substitute for proper adult supervision. Manufacturer and retailer assume no liability for improper installation or excess loads placed on screws, brackets, or straps. When properly installed, this restraint provides protection against unexpected tipping of furniture. This Anti-Tip Kit **MUST** be installed into the wall using proper mounting hardware **OR** into a wall stud using appropriate screws. Position of the Anti-Tip Kit depends on the product and the location of the wall studs. The hardware provided is not a comprehensive solution for all wall types. Be sure to consult a professional or your local hardware store to determine the hardware needed for your specific wall type (plaster, drywall, concrete, etc.).



Anti-Tip kit contents



Anti-Tip kit installation

Using a second person to assist you, place the unit in the desired final location against a wall. It is suggested to use a stud finder to find wall studs along the length of the unit and roughly 1 inch below the top. Where possible, mark a drill hole position on the wall where there is a stud and use a Drill or Screwdriver (NOT INCLUDED) to attach Wall Brackets to the wall using Long Screws in the location of the wall studs.

In a case where there is no wall stud, hold Brackets on wall and mark the drill hole positions so that they are roughly 1 inch below the top of the piece. Using a Drill (NOT INCLUDED) with a drill bit roughly the diameter of the plastic Wall Plugs, drill pilot holes in marked positions. Insert the plastic Wall Plugs into the holes until the tops are roughly flush with the wall. Align the holes and insert the Long Screws through Brackets and into the corresponding holes in the wall using a Phillips Head Screwdriver (NOT INCLUDED).

Next, attach remaining 2 Brackets to the back of the piece using Short Screws so they align with Brackets installed on the wall. Loop Straps through Brackets (A) on the furniture piece, then through Brackets on the wall and tighten until snug. Installation is now complete.

**IMPORTANT:** Check that the Wall Brackets are firmly screwed into the wall and the Cable Ties are snug.

If there is any hesitation, please consult a professional or your local hardware store.

# Warnings

## ⚠ WARNING



Children have died from furniture tip over. To reduce the risk of furniture tip over:

- **ALWAYS** install Anti-Tip device provided.
- **NEVER** put a TV on this product.
- **NEVER** allow children to stand, climb or hang on any drawers, doors or shelves.
- **NEVER** open more than one drawer at a time.
- **DO NOT** defeat or remove any drawer interlock system if included with the product; it is an important stability and safety system.
- **Place heaviest items in the lowest drawers.**



Not intended for clothing storage use.



All products sold at World Market are not for commercial use and are intended for residential use only.

# Care & Maintenance



**DO NOT** put hot items directly on furniture surface.



**DO NOT** clean furniture with harsh cleansers or polish.



**DO NOT** place furniture in direct sunlight.



**DO NOT** place furniture near heating or cooling vents.



**DO NOT** write on furniture without a padded barrier to protect the surface.



**DO NOT** place furniture outside. For **INDOOR USE ONLY**.



Dust and pick up spills using a clean, non-colored, lint-free dry cloth.



# **WORLD MARKET** LIMITED ONE-YEAR WARRANTY – Indoor Furniture

For your customer satisfaction, this product carries a LIMITED ONE-YEAR WARRANTY from the date of delivery. This limited warranty only applies to World Market brand furniture, and not to other furniture brands sold on World Market's website.

Where applicable, the limited warranty provides coverage for:

1. **Manufacturing, Material and Workmanship Defects:** Includes defects related to core frame/structure substrates (wood and metal); cracking, splitting, or complete breakage of hardwood, plywood or medium density fiberboard (MDF); cracking, splitting or lifting of wood veneer or laminated top surfaces caused by process failure; broken welds or improperly coated metal frame components (powder coating or painted); fabric or leather material defects including tears, misprints, fraying, crease marks, skip stitches or open seams; support webbing material and sinuous spring defects or damage, including method of attachment to frame; and other component failures that are a direct result of manufacturing or workmanship defects.
2. **Cushions & Cushions with Enclosed Steel Pocket Coils:** Failed or ruptured steel pocket coils enclosed inside of seat cushions, or loss of resiliency from a material breakdown of foam or fiber filling, which should not be confused with softening or settling during normal use.
3. **Leather:** Splitting or cracking of leather material. NOTE: The warranty does NOT cover natural hide markings, variations in the leather color or grain due to the authentic natural properties of processed cowhide leather.
4. **Bonded Leather or Bi-cast Leather:** Separation of the polyurethane coating, peeling or cracking of the inner layer or at the bonded seam edges (bi-cast straps).
5. **Furniture Components (Hardware & Mechanisms):** Includes defects to pre-installed components or hardware provided to the customer for assembly such as office chair hydraulic lifts, lift mechanisms, metal bases and casters, swivel plate mechanisms; for drawers, metal glides, handles/knobs; for doors, hinges, magnetic latches; and other components such as bent or stripped threaded leg posts and adjustable levelers. For missing, damaged, corroded, or misplaced hardware components such as bolts or washers, please contact Customer Service at: 877-967-5362.

## **This LIMITED ONE-YEAR WARRANTY does NOT cover:**

1. Damage due to mishandling during transportation from store or transportation without original protective packaging.
2. Abuse, negligence (product misuse) or wear and tear that may result in or from:
  - a. **Wood & Veneer:** Mishandling, exposure to moisture, peeling or discoloration caused by exposure to moisture or excessive sunlight, heat; splintered, dented or nicked panels, legs or component edges or paint/finish blemishes; or treatment with corrosive chemicals (dyes, inks, paints or harsh cleaning products).
  - b. **Fabric & Leather (Including Bonded or Bi-Cast Leathers):** cuts, punctures, tears, burns, pet damage, or treatment with corrosive chemicals (dyes, inks, paints or harsh cleaning products), exposure to direct sunlight, fire, high heat, water, or any bright light source (natural or artificial) that may cause splitting, peeling or flaking with time.
  - c. **Foam (Cushions):** Flattening, relaxing or settling/softening of foam components that comes with normal use.
  - d. **Hardware Components:** improper installation or misuse/substitution of hardware components not defined in the Assembly Instructions for the product (if applicable)
3. Damage due to environmental exposure to direct sunlight, fire, high heat, water or extreme humidity, any bright light source (natural or artificial), or any environment that the product is not intended for.
4. This warranty is applicable for indoor furniture products purchased for residential use only.

For additional information on returns, please visit: <https://www.worldmarket.com/category/customer-service/returns.do>

**All products sold at World Market are NOT FOR COMMERCIAL USE and are intended for residential use only. Products purchased for commercial use will VOID all warranty provisions as listed above.**

Any claims under this LIMITED ONE-YEAR WARRANTY are valid and applicable only as to the original purchaser and must be accompanied by proof of purchase. Warranty claims should be submitted to a World Market store or through World Market Customer Service Call Center, Toll Free at 877-967-5362.

For valid warranty claims, World Market will repair or replace the product, or offer a full or partial credit, in the sole discretion of World Market. This LIMITED ONE-YEAR WARRANTY gives you specific legal rights and you may also have other rights which vary from state to state.